

VALVE SIZE	14	16	18	20	24
A	15 3/4	17	19	20	23
B	23	23	24	24	28 1/2
C	21	23 1/2	25	27 1/2	32
D	38 3/4	42 3/4	48 7/8	52 1/2	59
E	42 1/2	46 1/2	52 1/2	56	62 1/2
F	19 1/4	20 1/2	22 1/2	24	28

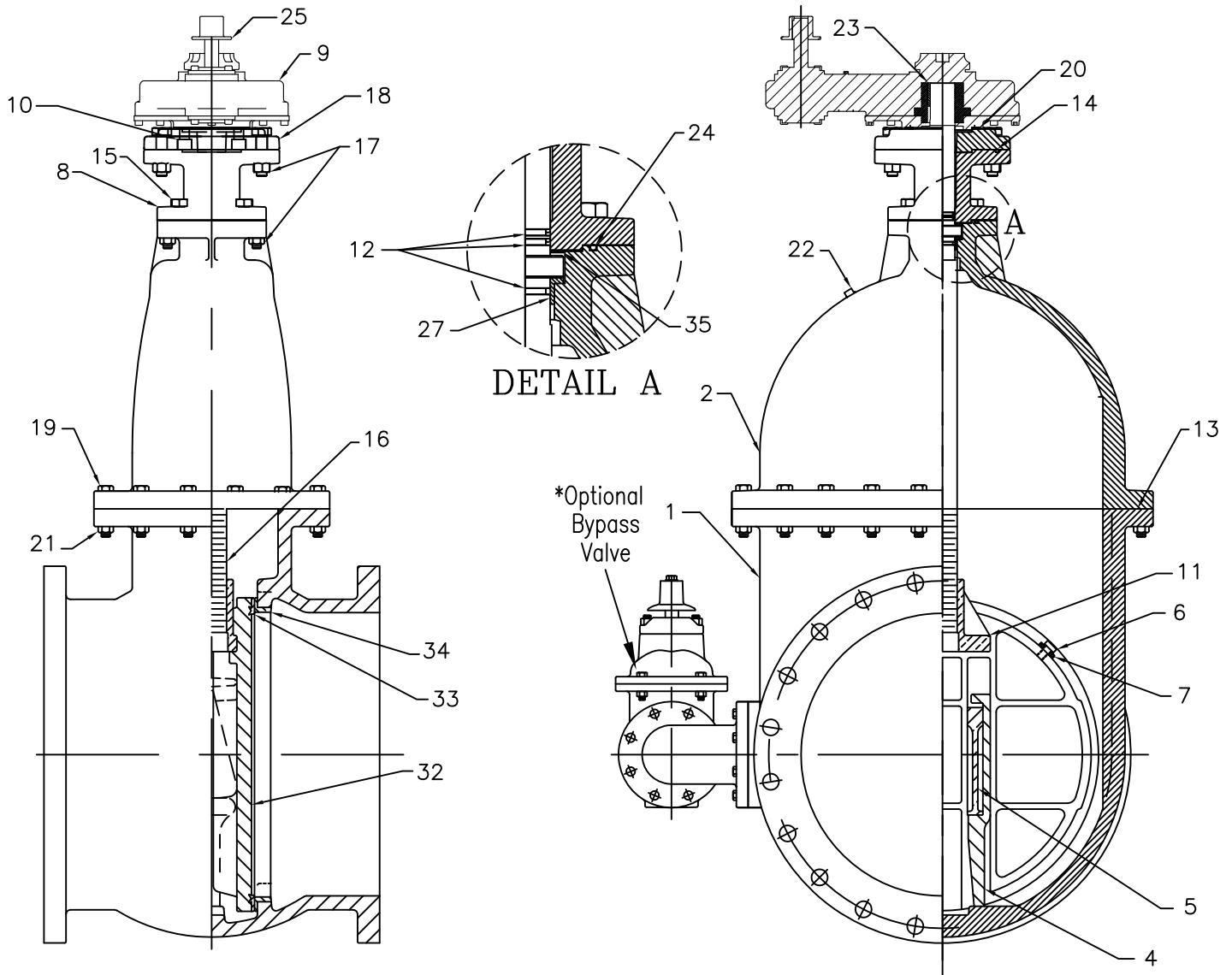
VALVE SIZE	14	16	18	20	24
G	1 7/8	1 7/8	2 1/8	2 1/8	2 1/2
H	23 5/8	25 3/4	27 3/4	32 7/8	35 3/4
K	8	8	12	12	12
L	1 3/8	1 7/16	1 9/16	1 11/16	1 7/8
M	7/8	7/8	15/16	1	1 1/8
URNS TO OPEN	90	104	174	192	228

*OPTIONAL BYPASS VALVE: (14"=2") (16"-20"=3") (24"=4")

M&H VALVE COMPANY
ANNISTON, ALABAMA
A DIVISION OF MCWANE INC.

DWN: TRIJ
DATE: 9/1/12
DWG. NO. DD9

14" THRU 24"
DOUBLE DISC GATE VALVE
C500-MODEL 2613
(WITH SPUR GEAR)(WITH BY-PASS)
FLANGED ENDS



QTY	DESCRIPTION	MATERIAL
1	1 Body	Gray Iron, ASTM A126 Class B
2	1 Bonnet / Cover	Gray Iron, ASTM A126 Class B
3	1 Cap	-----
4	2 Hook	Gray Iron, ASTM A126 Class B
5	2 Wedge	Bronze, ASTM B584 C83600
6	4 Gate Peg	Bronze, ASTM B584 C83600
7	2 Strap	Bronze, ASTM B584 C83600
8	1 Extension	Ductile Iron, ASTM A536 65-45-12
9	1 Actuator 2:1 Actuator 3:1	14"-16" Only 18"-24" Only
10	4 Socket Head Bolt	18-8 Stainless Steel
11	1 Stem Nut	Bronze, ASTM B584 C83600
12	3 Oring-Stem	NBR
13	2 Oring-Cover	NBR
14	1 Oring-Extension	NBR
15	4 Capscrew	Zinc Chromate Plated Steel

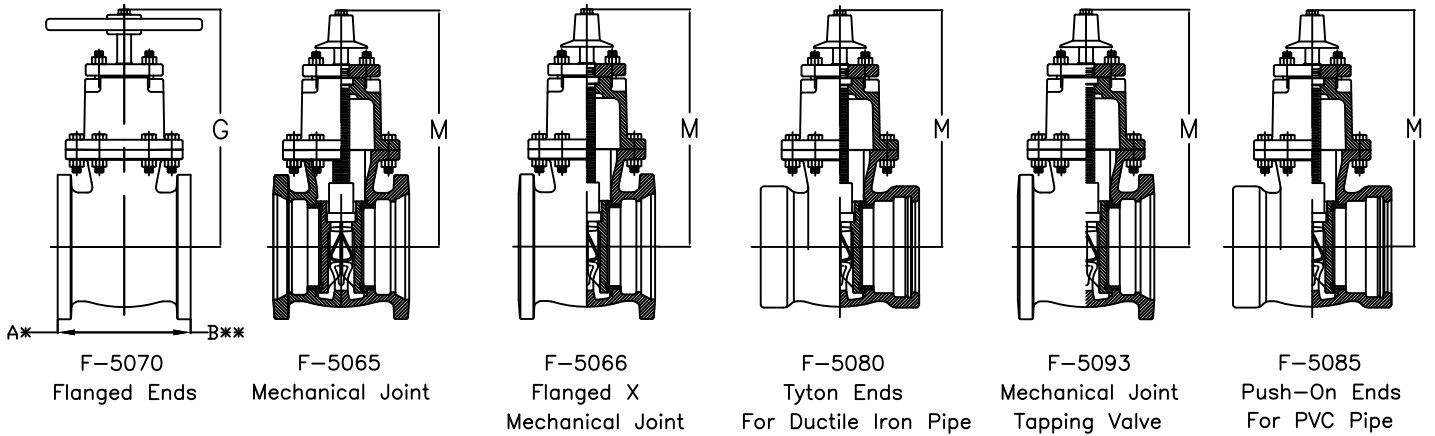
QTY	DESCRIPTION	MATERIAL
16	1 Stem	Bronze, ASTM B584 C86700
17	8 Nut	Zinc Chromate Plated Steel
18	1 Adaptor Plate	Ductile Iron, ASTM A536 65-45-12
19	18 Capscrew	Zinc Chromate Plated Steel
20	1 Gasket-Actuator	Buna-N
21	18 Nut	Zinc Chromate Plated Steel
22	1 Pipe Plug	Steel
23	1 Key	Steel
24	1 Oring-Cover Top	NBR
25	1 Operating Nut	Ductile Iron, ASTM A536 65-45-12
27	1 Bushing	Bronze, ASTM B584 C83600
32	2 Gate	Gray Iron, ASTM A126 Class B
33	2 Gate Ring	Bronze, ASTM B584 C83600
34	2 Case/Body Ring	Bronze, ASTM B584 C83600
35	1 Thrust Washer	Delrin (18"-24")

*OPTIONAL BYPASS VALVE: (14"-2") (16"-20"=3") (24"=4")
GEARING RECOMMENDED ON 14"-24" VALVES

M&H VALVE COMPANY
ANNISTON, ALABAMA
A DIVISION OF MCWANE INC.

DWN: TRIJ
DATE: 9/1/12
DWG. NO.
DD8

14" THRU 24"
DOUBLE DISC GATE VALVE
C500-MODEL 2613
(WITH SPUR GEAR)(WITH BY-PASS)
VALVE ASSEMBLY / MATERIAL LIST



VALVE SIZE	A	B	G	M	TURNS TO OPEN	DIAM. OF STEM
2	7	—	10 1/4	10 1/4	5	7/8
2 1/4	7 1/2	—	10 1/4	10 1/4	5	7/8
2 1/2	7 1/2	—	11 3/8	11 3/8	6	7/8
3	8	—	12 1/4	12 1/2	7	7/8
4	9	—	14	14	15	1 1/8
5	10	—	15 1/2	15 1/2	18	1 1/8
6	10 1/2	—	18	18	21	1 1/4
8	11 1/2	—	22	22	27	1 3/8
10	13	—	25 5/8	25 5/8	33	1 1/2
12	14	—	29 1/8	29 1/8	39	1 1/2
14	15 3/4	23	36 1/2	39 3/4	45	1 7/8
16	17	23	40 3/4	43 1/2	52	1 7/8
18	19	24	43 1/4	46	58	2 1/8
20	20	24	47 1/4	50	64	2 1/8
24	23	28 1/2	55	56 3/4	76	2 1/2
30	25	32 1/2	64 3/4	66 1/2	63	2 3/4
36	27	36	75 3/8	77 3/8	75	3
42	34	34	—	—	88	3 1/2
48	45 1/2	45 1/2	—	—	100	4

TURNS TO OPEN ARE FOR VALVES WITHOUT GEARING
 FLANGES ARE FACED AND DRILLED TO ANSI 125 POUND TEMPLATE, UNLESS OTHERWISE SPECIFIED
 * WITHOUT BYPASS
 ** WITH BYPASS

M&H VALVE COMPANY
 ANNISTON, ALABAMA
 A DIVISION OF MCWANE INC.

DWN: TRIJ
 DATE: 9/1/12
 DWG. NO.
 DD3

2" THRU 48"
 DOUBLE DISC GATE VALVE
 C500-MODEL 2613
 GENERAL DIMENSIONS / INFORMATION