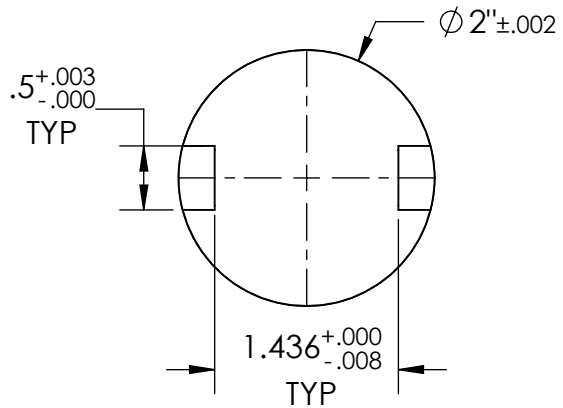


SHAFT INFORMATION



1. FLOW MAY BE IN EITHER DIRECTION
2. VALVE SHAFT WILL MEET OR EXCEED AWWA C504 REQUIREMENTS
3. REFERENCE AWWA C504 FOR FLANGES AND DRILLING (ANSI 125)
4. (16) 7/8" BOLTS ON EACH FLANGE (NO THREADED HOLES)
5. RATED FOR 150psi WORKING PRESSURE

THIS DWG. AND ALL INFORMATION IS OUR PROPERTY AND SHALL NOT BE USED, COPIED, OR REPRODUCED WITHOUT WRITTEN CONSENT. DESIGN AND INVENTION RIGHTS RESERVED.



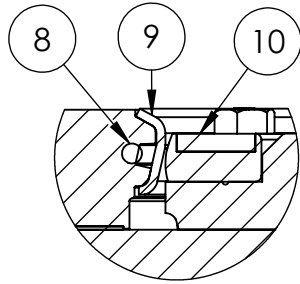
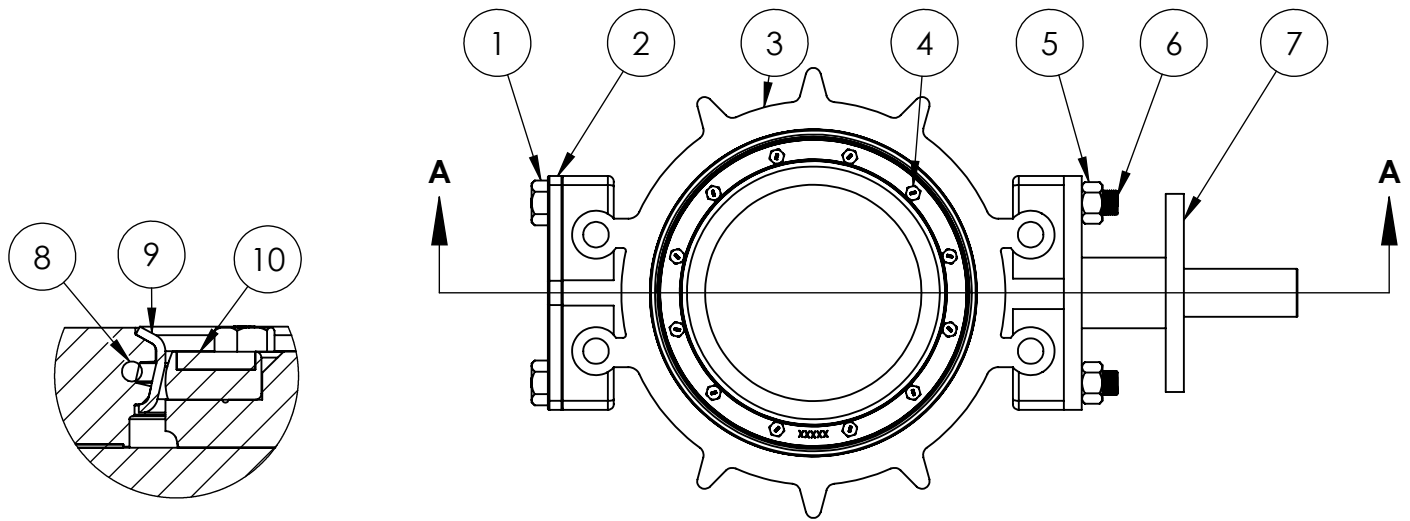
M&H VALVE COMPANY

A DIVISION OF McWANE INC.
P.O. BOX 2088
ANNISTON, ALABAMA 36202

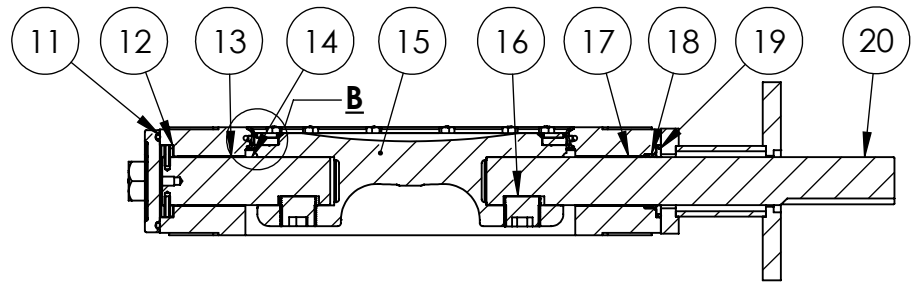
DWG. NO.
BD18-W11-B0000-11210
DRAWN: EMW
DATE: 05/19/2021

REV.
-

18" AWWA C504 Butterfly Valve - Wafer Style
Class 150
Adapter for F/A16 MSS/ISO Connection
Bare Stem Operator Shaft



DETAIL B



SECTION A-A

| # | DESCRIPTION | MATERIAL |
|----|---------------------------|--------------------------------|
| 1 | END PLATE BOLT | 18-8 STAINLESS STEEL |
| 2 | END PLATE | DUCTILE IRON |
| 3 | VALVE BODY | DUCTILE IRON |
| 4 | VANE RING BOLT | 18-8 STAINLESS STEEL |
| 5 | ADAPTER MOUNTING NUT | 18-8 STAINLESS STEEL |
| 6 | ADAPTER MOUNTING STUD | 18-8 STAINLESS STEEL |
| 7 | OPERATOR MOUNTING ADAPTER | STEEL |
| 8 | BODY O-RING | EPDM |
| 9 | BODY SEAT RING | 316 STAINLESS STEEL |
| 10 | VANE SEAT RING | EPDM W/ STAINLESS STEEL INSERT |
| 11 | END PLATE O-RING | EPDM |
| 12 | SHAFT THRUST COLLAR | BRONZE |
| 13 | LOWER BODY BUSHING | FIBERGLIDE |
| 14 | THRUST SHAFT | 304 STAINLESS STEEL |
| 15 | VANE | DUCTILE IRON |
| 16 | SHAFT TORQUE PLUG | 18-8 STAINLESS STEEL |
| 17 | UPPER BODY BUSHING | FIBERGLIDE |
| 18 | JOURNAL PACKING | BUNA-N |
| 19 | SEAL RING | BUNA-N |
| 20 | OPERATOR SHAFT | 304 STAINLESS STEEL |

THIS DWG. AND ALL INFORMATION IS OUR PROPERTY AND SHALL NOT BE USED, COPIED, OR REPRODUCED WITHOUT WRITTEN CONSENT. DESIGN AND INVENTION RIGHTS RESERVED.



M&H VALVE COMPANY

A DIVISION OF McWANE INC.
P.O. BOX 2088
ANNISTON, ALABAMA 36202

DWG. NO.
BBBB-W11-B0000-11210
DRAWN: EMW
DATE: 05/18/2021
REV. -

14" - 20" AWWA C504 BUTTERFLY VALVE
WAFFER STYLE - CL150 BODY SUB-ASM
MATERIAL LIST FA16 MOUNTING ADAPTER