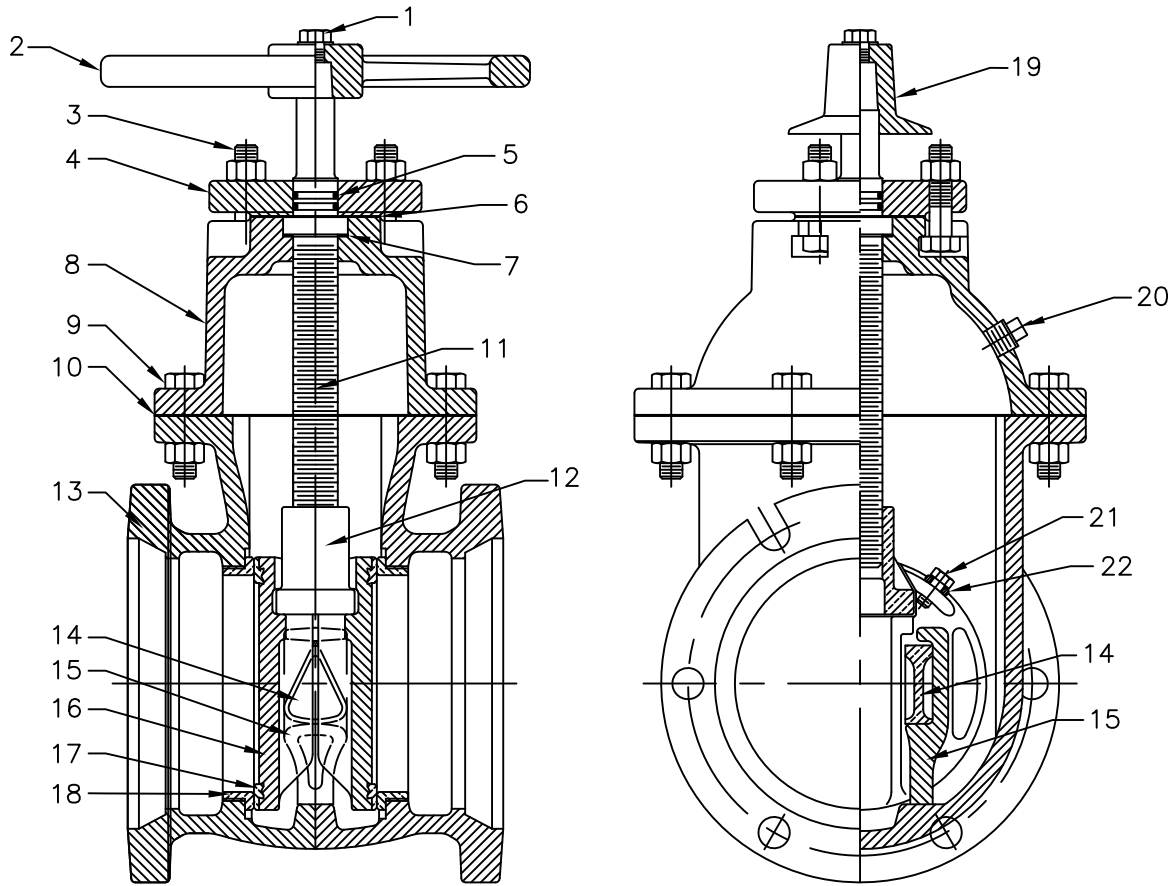


VALVE SIZE	A	B	C	D	E	F	G	H	Turns to Open
2	7	6	5	11 3/4	7/8	7 1/4	5 7/8	11 3/4	5
2 1/2	7 1/2	7	5 1/8	13	7/8	7 1/4	6 3/8	13	6
3	8	7 1/2	5 1/2	14	7/8	7 1/4	7 1/8	14	7
4	9	9	7	15 1/4	1 1/8	10	9	15 1/4	15
5	10	10	7 3/4	16 3/4	1 1/8	10	10 7/8	16 3/4	18
6	10 1/2	11	9	18 1/2	1 1/4	12	12 5/8	18 1/2	21
8	11 1/2	13 1/2	10	21 5/8	1 3/8	14	15 1/4	21 5/8	27
10	13	16	10 5/8	28 1/4	1 1/2	18	18 1/4	28 1/4	33
12	14	19	11 1/4	30 3/4	1 1/2	18	20 1/4	30 3/4	39

M&H VALVE COMPANY
ANNISTON, ALABAMA
A DIVISION OF MCWANE INC.

DWN: TRIJ
DATE: 9/1/12
DWG. NO.
DD4

2" THRU 12"
DOUBLE DISC GATE VALVE
C500-MODEL 2613
FIGURE F-5070
FLANGED ENDS



	QTY	DESCRIPTION	MATERIAL
	1	Capscrew & Washer	304 Stainless Steel
	1	Handwheel	Cast Iron, ASTM A126 Class B
		Bolts & Nuts (O-Ring Plate)	304 Stainless Steel
	1	O-Ring Plate	Cast Iron, ASTM A126 Class B
	2	O-Rings (O-Ring Plate)	Rubber
	1	Gasket (O-Ring Plate)	Composition
	*7	Low Torque Bearing	Delrin
	1	Cover	Cast Iron, ASTM A126 Class B
		Bolts & Nuts (Cover)	304 Stainless Steel
	1	Gasket (Cover / Body)	Composition
	1	Non-Rising Stem	Low Zinc Bronze
	1	Stem / Gate Nut	Bronze
	1	Body	Cast Iron, ASTM A126 Class. B
	2	Wedge	Bronze
	2	Hook	Cast Iron, ASTM A126 Class B
	2	Gate / Disc	Cast Iron, ASTM A126 Class B
	2	Gate / Disc Ring	Bronze
	2	Case / Body Ring	Bronze
	1	Operating Nut	Cast Iron, ASTM A126 Class B
	1	Pipe Plug	Steel with Teflon
	4	Capscrew on 10" & 12" Only	Silicon Bronze
	2	Straps on 10" & 12" Only	Stainless Steel

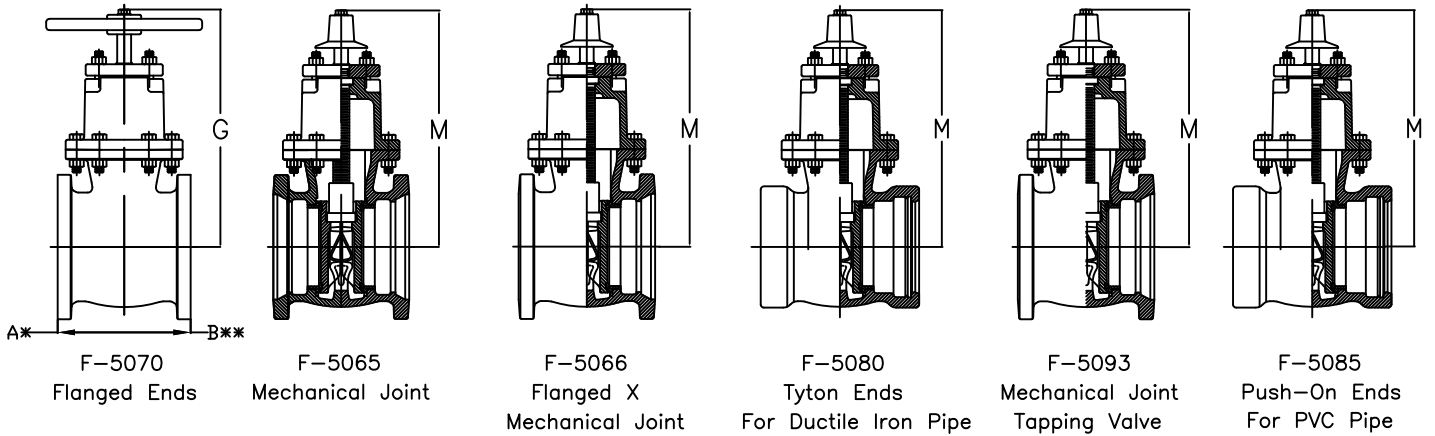
*DELTRIN BEARING, PART 7, USED ON 4"-12" ONLY

2"-3" Has all bronze gates, without rings or hooks. Wedge is one piece bronze

M&H VALVE COMPANY
ANNISTON, ALABAMA
A DIVISION OF MCWANE INC.

DWN: TRIJ
DATE: 9/1/12
DWG. NO.
DD2

2" THRU 12"
DOUBLE DISC GATE VALVE
C500-NRS-MODEL 2613
VALVE ASSEMBLY / MATERIAL LIST



VALVE SIZE	A	B	G	M	TURNS TO OPEN	DIAM. OF STEM
2	7	—	10 1/4	10 1/4	5	7/8
2 1/4	7 1/2	—	10 1/4	10 1/4	5	7/8
2 1/2	7 1/2	—	11 3/8	11 3/8	6	7/8
3	8	—	12 1/4	12 1/2	7	7/8
4	9	—	14	14	15	1 1/8
5	10	—	15 1/2	15 1/2	18	1 1/8
6	10 1/2	—	18	18	21	1 1/4
8	11 1/2	—	22	22	27	1 3/8
10	13	—	25 5/8	25 5/8	33	1 1/2
12	14	—	29 1/8	29 1/8	39	1 1/2
14	15 3/4	23	36 1/2	39 3/4	45	1 7/8
16	17	23	40 3/4	43 1/2	52	1 7/8
18	19	24	43 1/4	46	58	2 1/8
20	20	24	47 1/4	50	64	2 1/8
24	23	28 1/2	55	56 3/4	76	2 1/2
30	25	32 1/2	64 3/4	66 1/2	63	2 3/4
36	27	36	75 3/8	77 3/8	75	3
42	34	34	—	—	88	3 1/2
48	45 1/2	45 1/2	—	—	100	4

TURNS TO OPEN ARE FOR VALVES WITHOUT GEARING

FLANGES ARE FACED AND DRILLED TO ANSI 125 POUND TEMPLATE, UNLESS OTHERWISE SPECIFIED

* WITHOUT BYPASS

** WITH BYPASS

M&H VALVE COMPANY
ANNISTON, ALABAMA
A DIVISION OF MCWANE INC.

DWN: TRIJ
DATE: 9/1/12
DWG. NO.
DD3

2" THRU 48"
DOUBLE DISC GATE VALVE
C500-MODEL 2613
GENERAL DIMENSIONS / INFORMATION