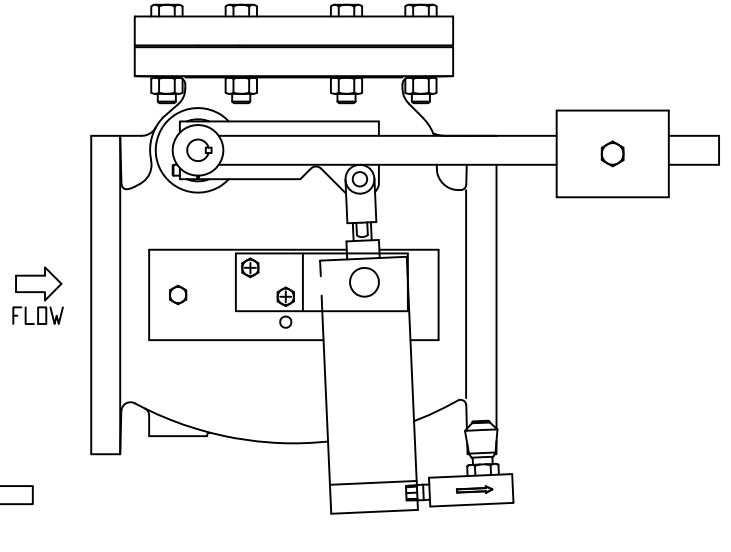
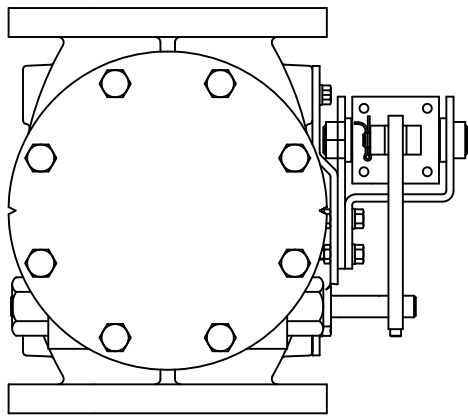


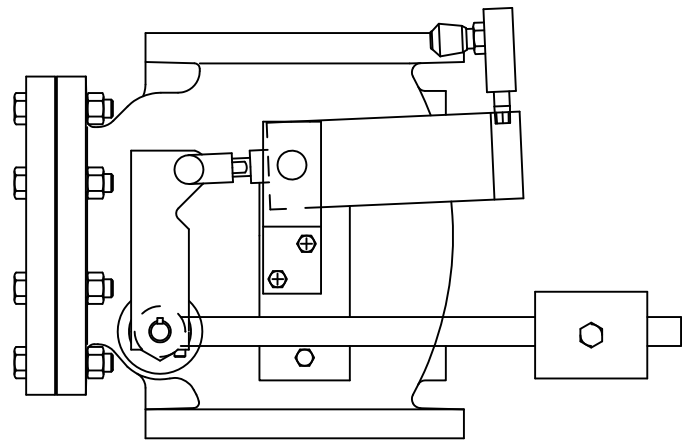
HORIZONTAL MOUNTING  
FRONT VIEW



HORIZONTAL MOUNTING  
RIGHT SIDE VIEW



FLOW UP  
VERTICAL MOUNTING  
FRONT VIEW



FLOW UP  
VERTICAL MOUNTING  
RIGHT SIDE VIEW

M&H VALVE COMPANY  
ANNISTON, ALABAMA  
A DIVISION OF MCWANE INC.

DWN: TRIJ
DATE: 9/1/12
DWG. NO. CCV-3

3" THRU 12"  
CUSHION CHECK VALVE  
STYLE 206