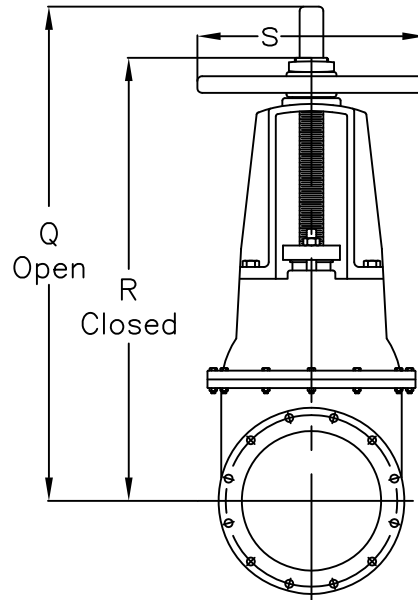
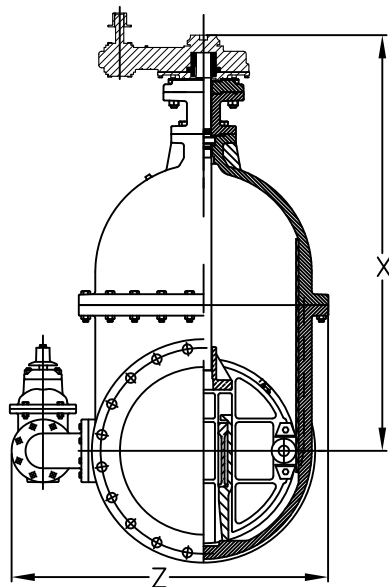


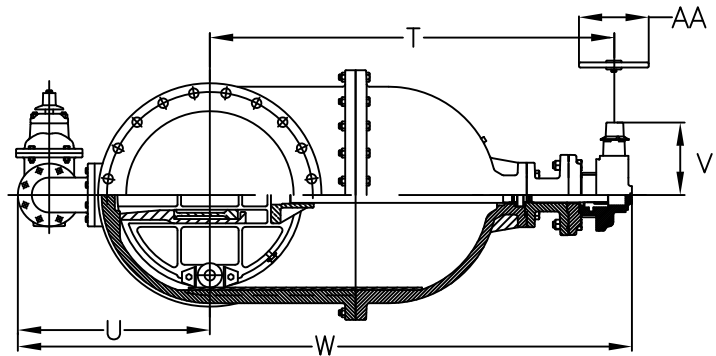
Flanged Ends, NRS



Flanged Ends, OS&Y



Flanged ends--NRS
Spur Gear with By-Pass



Flanged ends, NRS,
with Bevel Gears, with By-Pass

VALVE SIZE	A	B	G	Q	R	S	T	U	V	W	X	Y	Z	AA	Turns to Open	Diam. of Stem
4	9 5/8	—	14	24	19 3/4	10	—	—	—	—	—	—	—	—	15	1 1/8
6	11 1/2	—	18	32 1/2	25 1/2	12	—	—	—	—	—	—	—	—	21	1 1/4
8	12 1/2	—	22	40 1/2	31 1/2	14	—	—	—	—	—	—	—	—	27	1 3/8
10	14 1/2	—	25 5/8	47 1/4	36 1/4	18	—	—	—	—	—	—	—	—	33	1 1/2
12	17	—	29 1/8	58 1/4	45 3/4	18	27 5/8	—	13	—	36 1/8	8	—	18	39	1 1/2
14	17 1/2	26 1/4	36 1/4	67 3/4	52 3/4	22	33	21	13	58 1/4	41	8	33	18	45	1 7/8
16	19	27 1/2	40 1/4	74 3/4	57 3/4	26	36 7/8	22	13	64	45	8	35 1/4	18	52	2
18	21	27 1/2	43 3/8	82 1/2	63 1/2	26	39 7/8	24	13	69 3/4	48	8	38 1/2	18	58	2 1/8
20	21 1/2	28	48	90 1/4	69 1/4	30	43 3/4	24 3/4	13	74	51 3/4	8	41 1/2	18	64	2 1/4
24	26	34	54 3/8	105	79 3/4	30	52 7/8	29 1/2	17 1/2	89	60 5/8	10	47 1/4	18	51	2 1/4
30	30	34	65 3/8	128 1/4	97	36	64 1/8	33 1/2	23 3/4	105 1/2	79 1/8	13 3/8	57 1/2	22	63	3

FLANGES ARE FACED AND DRILLED TO ANSI CLASS 250 STANDARD

NOTE: CONTACT FACTORY FOR 36", 42" and 48" DRAWINGS, AND DIMENSION DETAILS

OPTIONAL BYPASS VALVE: (14"-20"=3") (24"-30"=4") (36"-48"=6")

GEARING RECOMMENDED ON 14"-24" VALVES, MANDATORY ON 30"-48"

M&H VALVE COMPANY
ANNISTON, ALABAMA
A DIVISION OF MCWANE INC.

DWN: TRIJ
DATE: 9/1/12
DWG. NO.
DD16

4" THRU 48"
C500-MODEL (LIST 16)
EXTRA HEAVY DOUBLE DISC GATE VALVES
(WITH 250lb FLANGES)
GENERAL DIMENSIONS