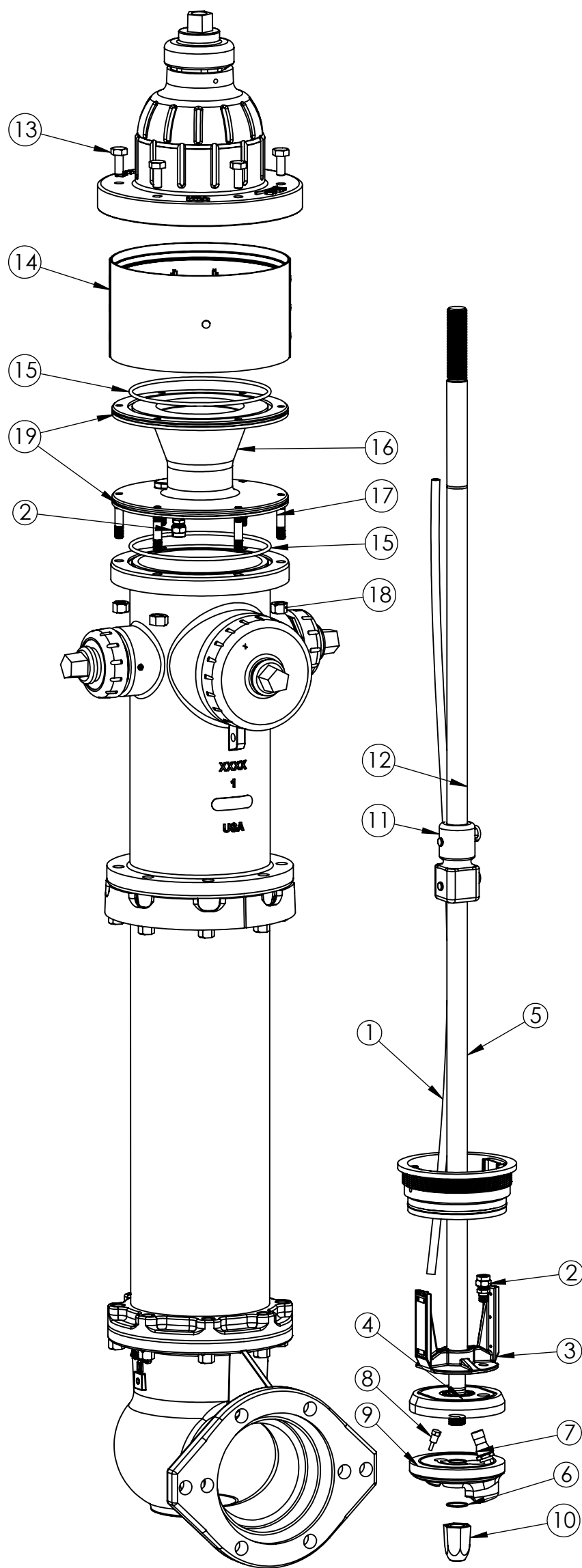


Bottom assembly
Detailed view



| Sr Number | Part Description | Material |
|-----------|--|--|
| 1 | Tube | 1/2" x 0.062 Wall Nylon Tube |
| 2 | Compression fitting | Brass; 1/4" NPT by 1/2" tube; |
| 3 | iHydrant 5-1/4" Top plate | B-148 C95500 |
| 4 | iHydrant 5-1/4" main valve seat | EPDM Rubber |
| 5 | iHydrant Lower rod | Steel |
| 6 | iHydrant bottom capnut O-ring(#2-25) | EPDM Rubber |
| 7 | Pressure sensor | Misc. |
| 8 | Temperature sensor | Misc. |
| 9 | iHydrant 5-1/4" Bottom plate | Ductile iron |
| 10 | iHydrant Bottom cap nut | Ductile iron |
| 11 | Break coupling | Cast iron |
| 12 | iHydrant 5-1/4" Upper Rod | Steel |
| 13 | 1/2" -13 - 1.25" long hex head bolts | Stainless steel |
| 14 | iHydrant 5-1/4" Weather guard with electronics, cable and required hardware. | Weather shield : Makrolon PC 9415-901510 |
| 15 | iHydrant Spool O-ring | Rubber BUNA-N |
| 16 | iHydrant 5-1/4" Spool | Ductile iron |
| 17 | 1/2"-13 Thread, 2-1/2" Long studs | Steel |
| 18 | 1/2" -13 Hex nut | Stainless steel |

| Sr Number | Part Description | Material |
|-----------|--------------------------------------|-------------|
| 19 | Spool - Weather guard O-ring (2-273) | Rubber EPDM |
| 20 | Lower rod O-ring (2-210) | Rubber EPDM |
| 21 | Lower rod O-ring (2-212) | Rubber EPDM |

THIS DWG. AND ALL INFORMATION IS OUR PROPERTY AND SHALL NOT BE USED, COPIED, OR REPRODUCED WITHOUT WRITTEN CONSENT. DESIGN AND INVENTION RIGHTS RESERVED.



M&H VALVE COMPANY
A DIVISION OF MCWANE INC.
P.O. BOX 2088
ANNISTON, ALABAMA 36202

DRAWN: SUP
DATE: 08/14/19
DWG. NO.: IB5-1111-N

5-1/4" 129 iHydrant Submittal