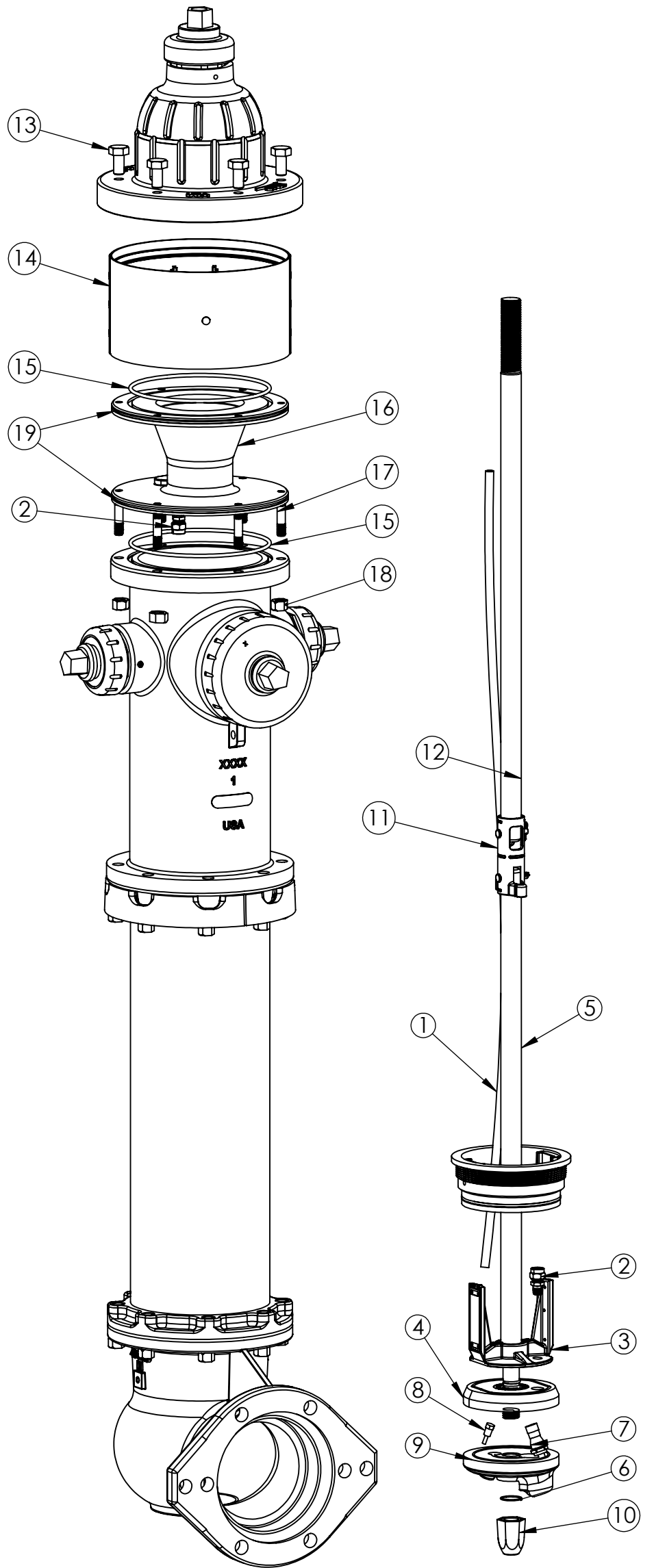


Bottom assembly
Detailed view



Sr Number	Part Description	Material
1	Tube	1/2" x 0.062 Wall Nylon Tube
2	Compression fitting	Brass; 1/4" NPT by 1/2" tube;
3	iHydrant 5-1/4" Top plate	B-148 C95500
4	iHydrant 5-1/4" main valve seat	EPDM Rubber
5	iHydrant Lower rod	Stainless Steel
6	iHydrant bottom capnut O-ring (#2-25)	EPDM Rubber
7	Pressure sensor	Misc.
8	Temperature sensor	Misc.
9	iHydrant 5-1/4" Bottom plate	Ductile iron
10	iHydrant Bottom cap nut	Ductile iron
11	Break coupling	Stainless steel
12	iHydrant 5-1/4" Upper Rod	Stainless Steel
13	1/2" -13 - 1.25" long hex head bolts	Stainless steel
14	iHydrant 5-1/4" Weather guard with electronics, cable and required hardware.	Weather shield : Makrolon PC 9415-901510
15	iHydrant Spool O-ring	Rubber BUNA-N
16	iHydrant 5-1/4" Spool	Ductile iron
17	1/2"-13 Thread, 2-1/2" Long studs	Steel
18	1/2" -13 Hex nut	Stainless steel

Sr Number	Part Description	Material
19	Spool - Weather guard O-ring (2-273)	Rubber EPDM
20	Lower rod O-ring (2-210)	Rubber EPDM
21	Lower rod O-ring (2-212)	Rubber EPDM

THIS DWG. AND ALL INFORMATION IS OUR PROPERTY AND SHALL NOT BE USED, COPIED, OR REPRODUCED WITHOUT WRITTEN CONSENT. DESIGN AND INVENTION RIGHTS RESERVED.



M&H VALVE COMPANY

A DIVISION OF MCWANE INC.
P.O. BOX 2088
ANNISTON, ALABAMA 36202

DRAWN: SUP
DATE: 08/14/19
DWG. NO.: IB5-1211-N

5-1/4" 129s iHydrant Submittal