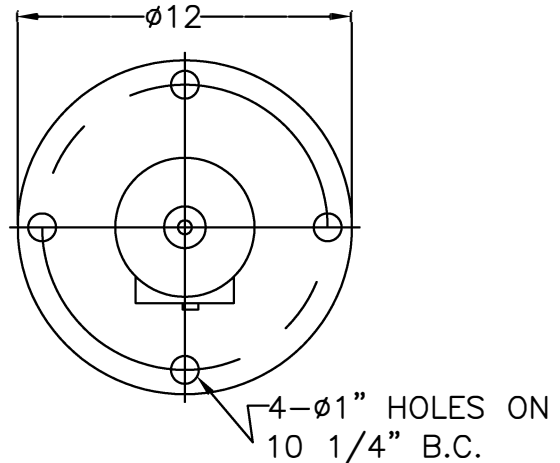


HANDWHEEL FURNISHED OR
2" SQ. NUT WHEN REQUESTED

The F-5505-T indicating floor stand is for non-rising stem valves where open/close valve indication is needed. Floor stands are of high strength cast iron and may be provided with extension stems of steel, stainless steel or bronze as specified.



NOTES:
POINTER TRAVELS 1" WITH
TURNS OF HANDWHEEL

ITEM	DESCRIPTION	REQ'D	MAT'L
1	FLOOR STAND	1	C.I.
2	STEM	1	ST'L
3	COUPLING	1	C.I.
4	BOLT	1	ST'L
5	NUT	1	ST'L
6	BUSHING	1	BRZ
7	INDICATOR NUT	1	BRZ
8	CLOSED TAG	1	ALUM
9	DRIVE SCREW	1	ST'L

M&H VALVE COMPANY
ANNISTON, ALABAMA
A DIVISION OF MCWANE INC.

DWN: TRIJ
DATE: 7/1/05
DWG. NO.
ACFS-5505

FLOOR STAND
STYLE F-5505-T
NON-RISING--INDICATING