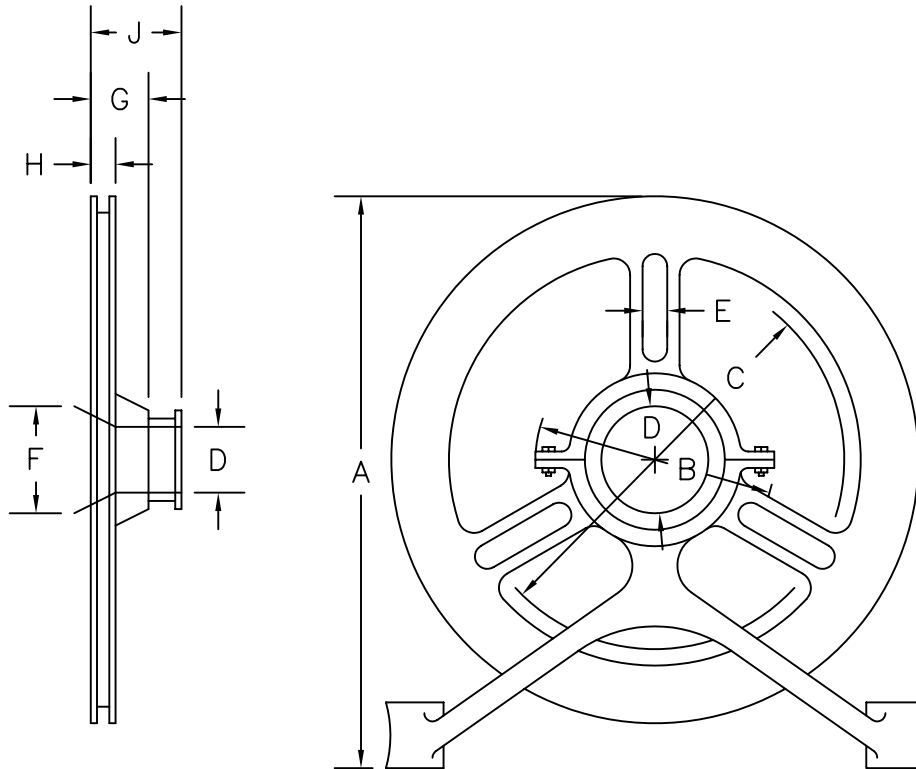


Chain Wheels are normally used for operation of valves located overhead. They are provided with chain guides to prevent the chain from slipping off the wheel. Chains can be furnished rust proof if specified. chain Wheels are mounted directly on the handwheel, and are of approximately the same diameter.

In ordering, please state the distance from floor to center line of wheel, or give the exact number of feet of chain required.



Note: Furnished with Rust-Proof Lock Link Steel Chain

SPROCKET SIZE	1½	2	2½	3	3½	4	4½	5
A - Overall Height	8	10½	12½	15½	18½	21½	25¾	30
B - Inner Bolt Circle	3½	4½	5½	8½	12	12	16	19
C - Outer Bolt Circle	5	6⅝	9¼	12⅜	15½	18	22	25½
D - Hub Opening (dia.)	1	2⅞	2⅞	2⅞	3	3	3	3
E - Slot Size (width)	⅜	⅜	⅞	⅞	⅞	⅞	⅞	⅞
F - Rear Opening	1⅞	3⅞	3½	3½	4⅞	4⅞	4¾	4¾
G - Hub Depth (shoulder to rear)	1⅞	1⅞	1⅞	1⅞	1⅞	1⅞	1⅞	2
H - Rim Thickness	1⅞	1⅞	1¼	1¼	1¼	1½	1½	1⅝
J - Overall Depth	2⅜	2⅜	2⅝	2⅝	3⅞	3⅞	3⅞	3⅞

SPECIFICATIONS				
Size No.	Diameter of sprocket wheel in inches	Weight in lbs.	Diameter of valve wheels rim will fit	Chain weight per 100' in lbs.
1½	7½	5	6 to 7½	17½
2	9	8	7¾ to 9	17½
2½	12½	14	9¼ to 12½	30
3	15½	19	12¾ to 15½	30
3½	19	28	15¾ to 19	30
4	22	37	19¼ to 22	35
4½	26	47	22¼ to 26	35
5	30	58	26¼ to 30	35

M&H VALVE COMPANY  
ANNISTON, ALABAMA  
A DIVISION OF MCWANE INC.

DWN: TRIJ  
DATE: 7/1/05  
DWG. NO.  
ACCW-5680

CHAIN WHEEL  
STYLE F-5680  
GENERAL DIMENSIONS