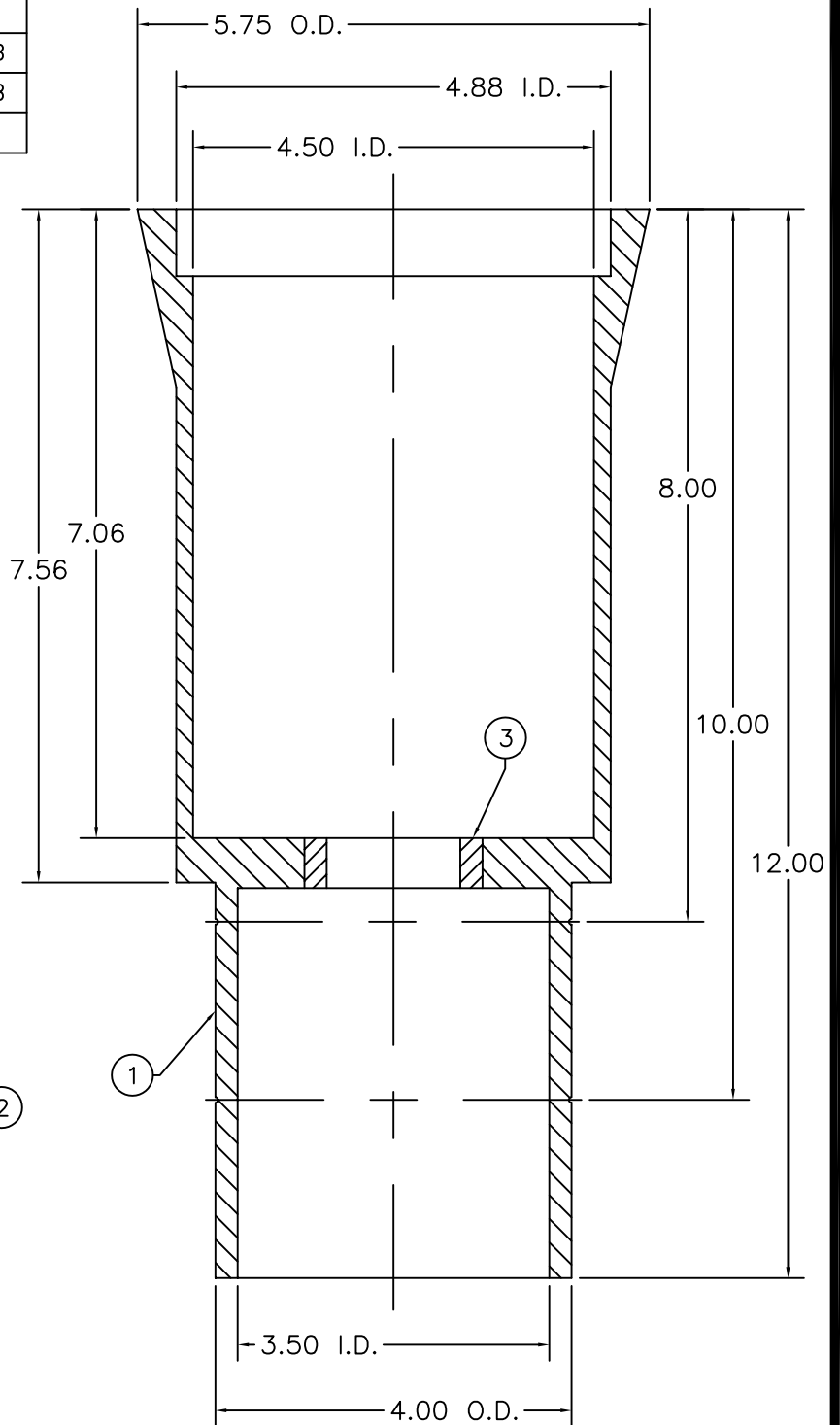
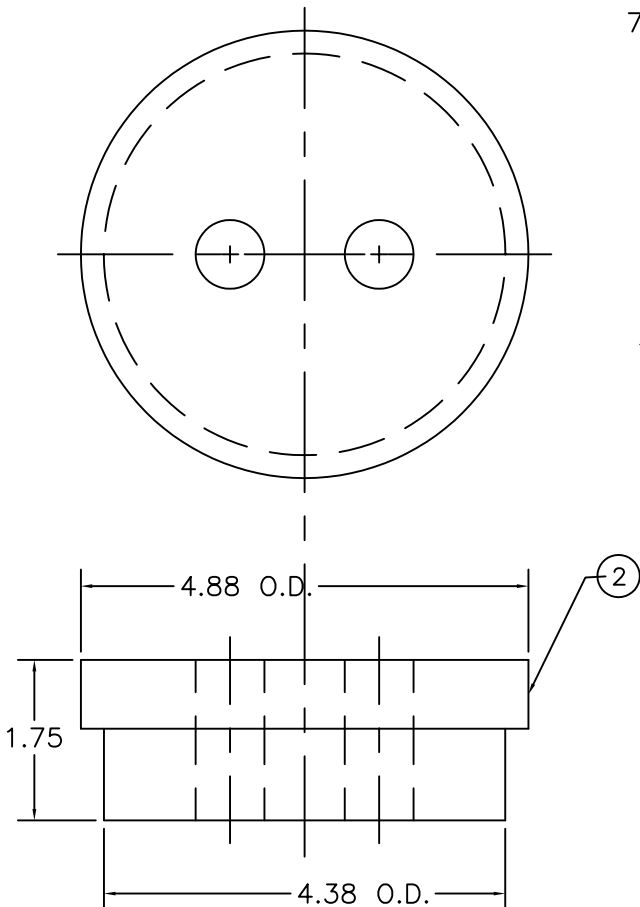


ITEM	DESCRIPTION	REQ'D	MATERIAL
1	BODY	1	CAST IRON A126B
2	COVER	1	CAST IRON A126B
3	BUSHING	1	BRASS CDA360

Floor boxes are designed for use with non-rising stem valves. Installed in concrete floors or slabs they provide support for the extension stem and a cover for the operating nut on the stem. Available in 8", 10", and 12" lengths.



M&H VALVE COMPANY  
ANNISTON, ALABAMA  
A DIVISION OF MCWANE INC.

DWN: TRIJ  
DATE: 7/1/05  
DWG. NO.  
ACFB-5695

FLOOR BOX  
STYLE F-5695-T