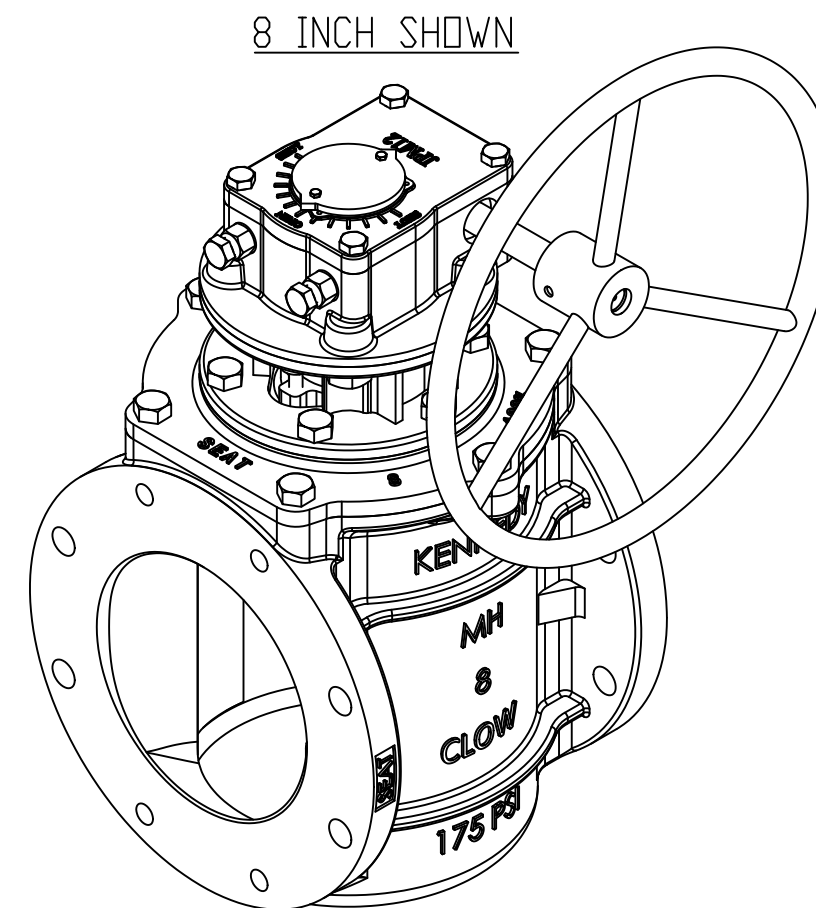
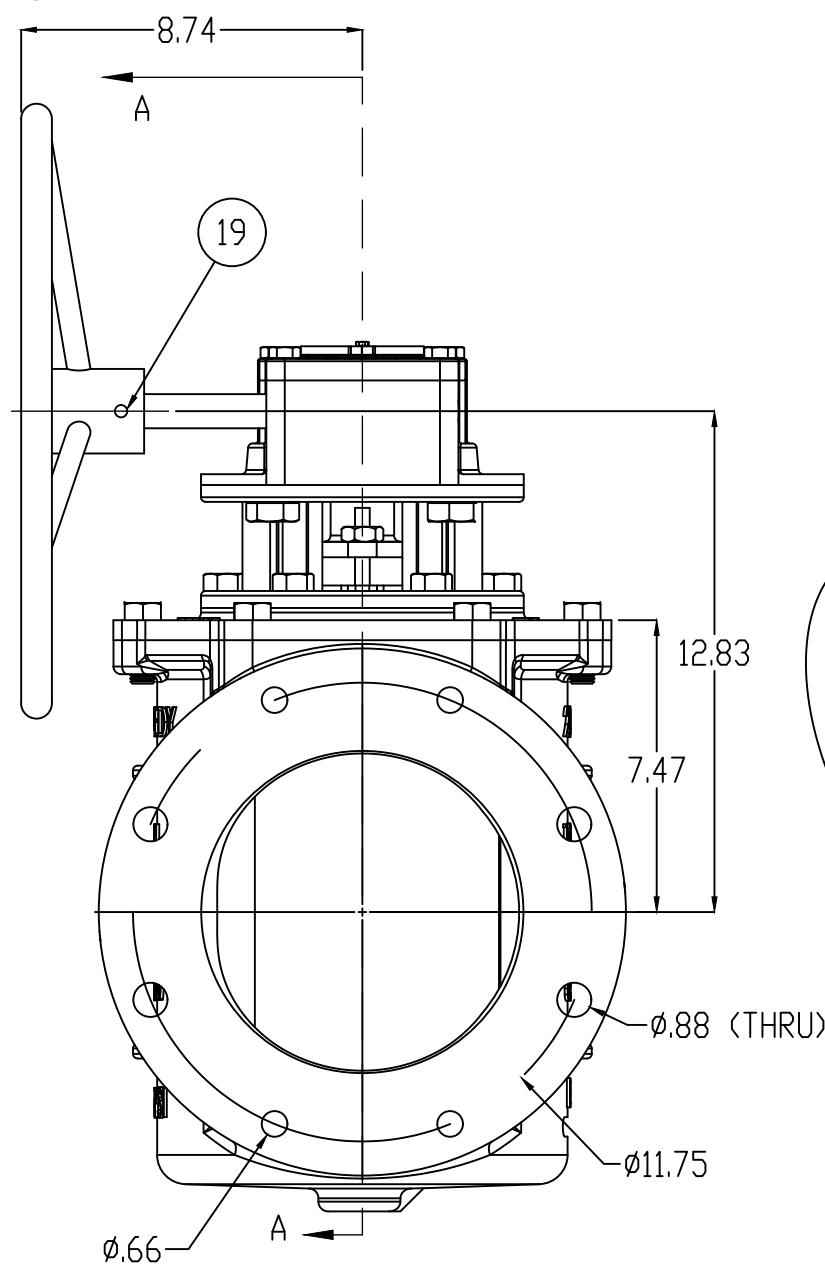
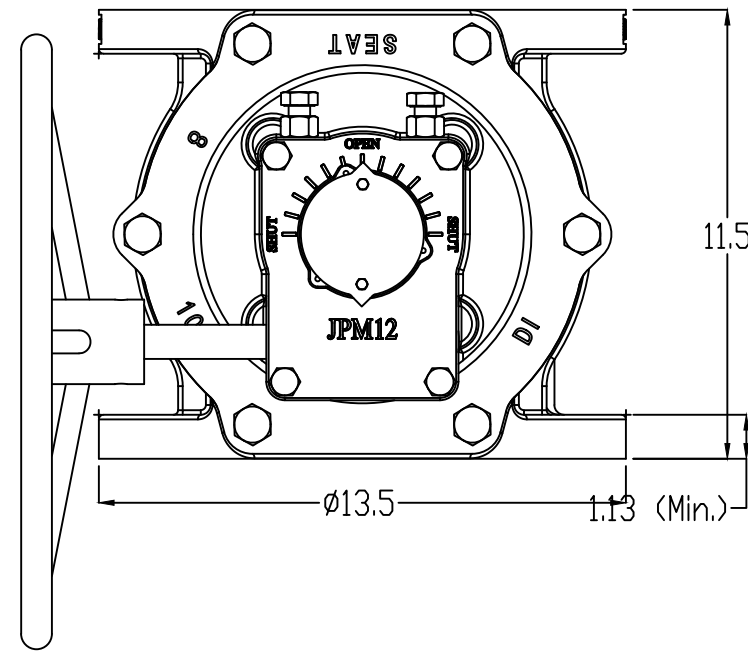


REVISIONS				
ECN	REV.	DESCRIPTION	BY	DATE
	1	RELEASED	J CAPPER	3/28/2017
	2	EDITED DRAWING NOTES, HW COLOR	J CAPPER	8/16/2017
	3	CORRECTED MODEL COLOR	J CAPPER	9/20/2017
	4	CORRECTED MODEL COLOR	J CAPPER	9/25/2017
	5	CORRECTED COVER SEAT LETTERING	J CAPPER	9/27/2017
	6	MADE FASTENERS 316 SS STANDARD, CORRECTED 14" VALVE HW, EDITED MARKINGS NOTE	DPB, J CAPPER	2/19/2019
	7	ADDED GEAR RATIO & # OF TURNS TO TABLE, UPDATED WITH CORRECT BODY MARKINGS	CAW	3/22/2019

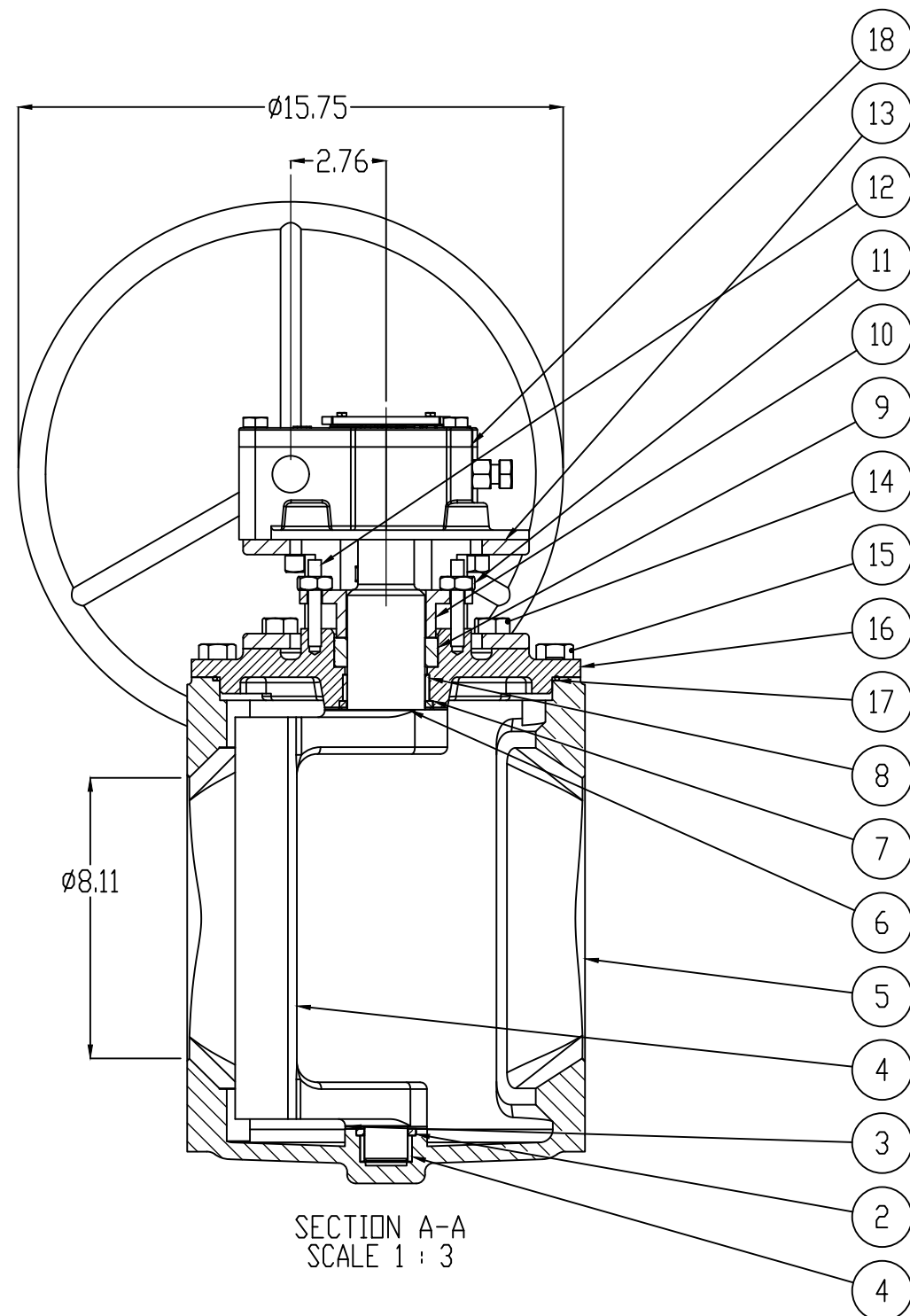
SIZE RANGE	WATER WORKING PRESSURE PSI	HYDROSTATIC TEST PSI
3-12	175 PSI	350 PSI
14-16	150 PSI	300 PSI

ITEM#	PART NAME	ASTM/ DESIGNATION	QTY.
1	LOWER SLEEVE BEARING	SINTERED ALLOY SS316	11
2	LOWER GRIT SEAL	NBR	1
3	LOWER THRUST WASHER	PTFE	1
4	PLUG	ASTM A536 65-45-12 OR 70-50-05 +NBR	1
5	BODY	ASTM A536 65-45-12 OR 70-50-05	1
6	UPPER THRUST WASHER	PTFE	1
7	UPPER GRIT SEAL	NBR	1
8	UPPER SLEEVE BEARING	SINTERED ALLOY SS316	1
9	V-PACKING	NBR	1
10	FOLLOWER GLAND	ASTM A536 65-45-12 OR 70-50-05	1
11	HEX NUTS	STAINLESS STEEL ASTM A276.T316	2
12	STUDS	STAINLESS STEEL ASTM A276.T316	2
13	ADAPTER	ASTM A536 65-45-12 OR 70-50-05	1
14	ADAPTER BOLTS	STAINLESS STEEL ASTM A276.T316	6
15	COVER BOLTS	STAINLESS STEEL ASTM A276.T316	4
16	COVER	ASTM A536 65-45-12 OR 70-50-05	1
17	COVER O-RING	NBR	1
18	JPM GEAR w/ HW	-----	1
19	SLOT TYPE SPRING PIN	ASTM A29 1566	1

NOTE:  
 FOR SERVICES WITH 3"- 8" PLUG VALVES IN EXCESS OF 25 PSI, USE OF A GEAR IS RECOMMENDED.  
 GEAR MODEL AND BRAND ARE SUBJECT TO CHANGE WITHOUT NOTICE.



NOTE:  
 1. BODY CASTINGS ARE TRI-MARKED WITH "CLOW," "KENNEDY," AND "M&H"



A [VALVE SIZE]	B	C	D	E	F	G	H	I	J	K	WEIGHT (LBS.)	JPM GEAR	GEAR RATIO	# OF TURNS TO OPEN (APPROX.)	Ø HW (in)
3	8.00	.75	7.50	4 x 5/8-11 $\nabla$ .79	-	6.00	3.76	7.50	8.8	2.8	75 LBS	JPM12A	40	10	8
4	9.00	.94	9.00	4 x 5/8-11 $\nabla$ .79	4 x .75	7.50	4.65	8.28	8.8	2.8	100 LBS	JPM12A	40	10	8
6	10.50	1.02	11.00	4 x 3/4-10 $\nabla$ .79	4 x .81	9.50	5.78	10.30	8.8	2.8	165 LBS	JPM12FA	40	10	12
8	11.50	1.13	13.50	4 x 3/4-10 $\nabla$ .79	4 x .88	11.75	7.48	12.54	8.8	2.8	230 LBS	JPM12FA	40	10	16
10	13.00	1.19	16.00	8 x 7/8-9 $\nabla$ .79	4 x 1.00	14.25	8.88	14.02	11.3	3.9	340 LBS	JPM14A	53	13	20
12	14.00	1.26	19.00	8 x 7/8-9 $\nabla$ .79	4 x 1.00	17.00	11.00	16.38	12.1	3.9	480 LBS	JPM14A	53	13	24
14	17.00	1.38	21.00	8 x 1-8 UNS $\nabla$ 1.54	4 x 1.13	18.75	12.88	18.00	14.9	4.9	720 LBS	JPM15A	68	17	30
16	17.17	1.44	23.50	8 x 1-8 UNS $\nabla$ 1.06	8 x 1.13	21.25	14.69	22.50	14.9	4.9	850 LBS	JPM15A	68	17	30

DRAWN	J CAPPER	DATE	3/28/2017
CHECKED	DB	DATE	3/29/2017
APPROVED			
M&H VALVE Division of McWane, Inc. 605 West 23rd Street, Anniston, Alabama 36201			
TITLE: 3"-16" FULL FLOW FLG EPV 6412-FF w/ JPM GEAR - HW			
MATERIAL: SEE TABLE		SIZE	DWG. NO.
WEIGHT: SEE TABLE		D	SUB910399T
REV 7			