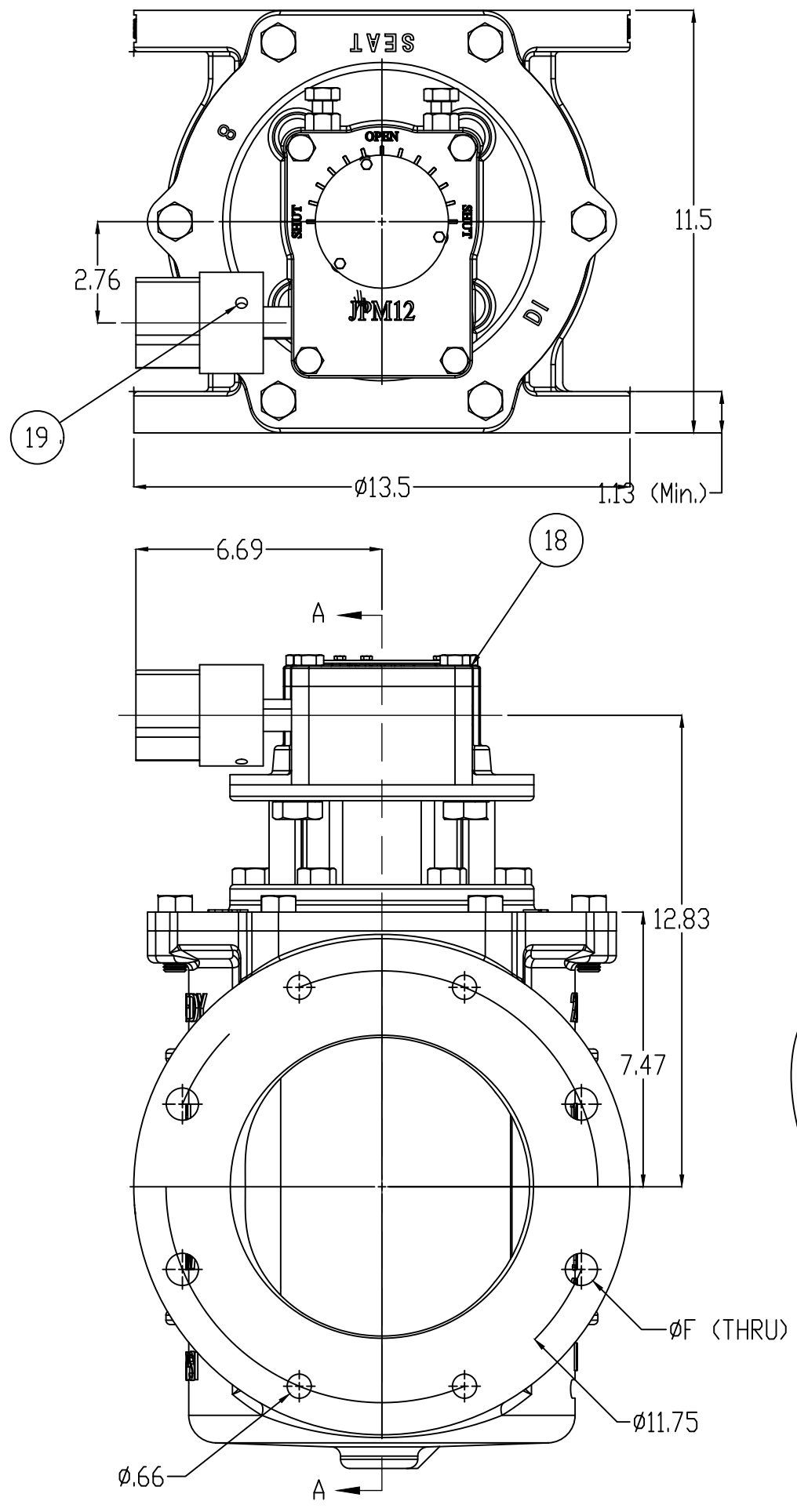


REVISIONS			
REV.	DESCRIPTION	BY	DATE
1	RELEASED	J CAPPER	3/28/2017
2	EDITED DRAWING NOTES	J CAPPER	8/16/2017
3	CHANGED MODEL COLOR	J CAPPER	9/20/2017
4	CHANGED MODEL COLOR	J CAPPER	9/25/2017
5	CORRECTED COVER "SEAT" LETTERING	J CAPPER	9/27/2017
6	ADDED BURIED GEAR NOTE	J CAPPER	10/5/2017
7	REMOVED ADAPTER WINDOWS	J CAPPER	8/1/2018
8	UPDATED J DIM, MADE FASTENERS 316 SS STANDARD, EDITED MARKINGS NOTE	J CAPPER	2/22/2019
9	ADDED GEAR RATIO & # OF TURNS TO OPEN COLUMNS, UPDATED WITH CORRECT BODY MARKINGS	CAW	3/25/2019

VALVE SIZE RANGE	WATER WORKING PRESSURE (PSI)	HYDROSTATIC TEST (PSI)
3-12"	175	350
14-16"	150	300

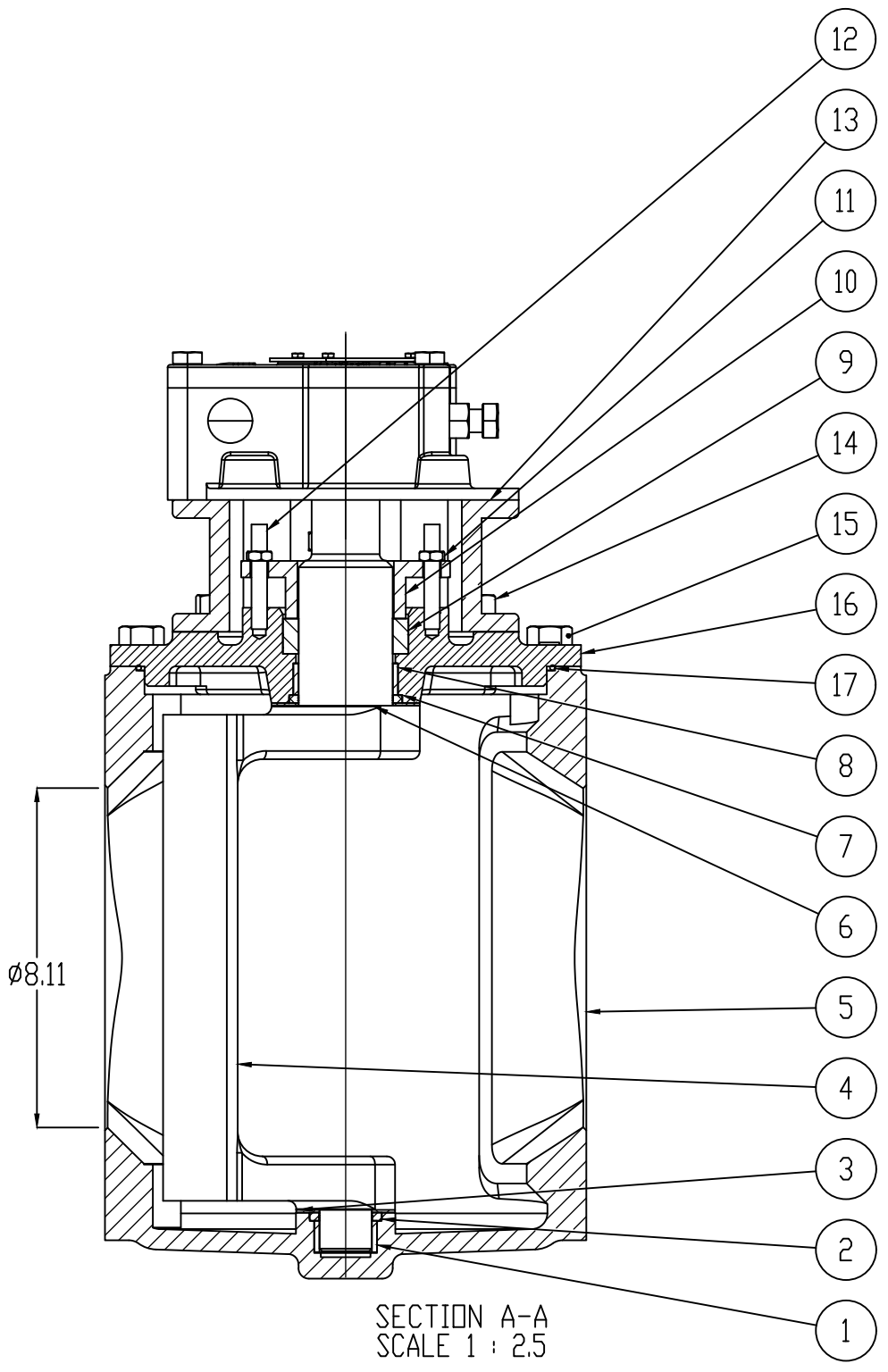
ITEM#	PART NAME	ASTM/ DESIGNATION	QTY.
1	LOWER SLEEVE BEARING	SINTERED ALLOY SS316	11
2	LOWER GRIT SEAL	NBR	1
3	LOWER THRUST WASHER	PTFE	1
4	PLUG	ASTM A536 GR.65-45-12 or GR.75-50-05 +NBR	1
5	BODY	ASTM A536 GR. 65-45-12 or 70-50-05	1
6	UPPER THRUST WASHER	PTFE	1
7	UPPER GRIT SEAL	NBR	1
8	UPPER SLEEVE BEARING	SINTERED ALLOY SS316	1
9	V-PACKING	NBR	1
10	FOLLOWER GLAND	ASTM A536 GR. 65-45-12 or 70-50-05	1
11	HEX NUTS	STAINLESS STEEL ASTM A276.T316	2
12	STUDS	STAINLESS STEEL ASTM A276.T316	2
13	ADAPTER	ASTM A536 GR. 65-45-12 or 70-50-05	1
14	ADAPTER BOLTS	STAINLESS STEEL ASTM A276.T316	6
15	COVER BOLTS	STAINLESS STEEL ASTM A276.T316	4
16	COVER	ASTM A536 GR. 65-45-12 or 70-50-05	1
17	COVER O-RING	NBR	1
18	JPM GEAR w/ DP NUT	-----	1
19	SLOT TYPE SPRING PIN	ASTM A29 1566	1

NOTE:
 FOR SERVICES WITH 3"- 8" PLUG VALVES IN EXCESS OF 25 PSI, USE OF A GEAR IS RECOMMENDED.
 GEAR MODEL AND BRAND ARE SUBJECT TO CHANGE WITHOUT NOTICE.



8 INCH SHOWN, BURIED GEAR

NOTE:
 1. BODY CASTINGS ARE TRI-MARKED WITH "CLOW," "KENNEDY," AND "M&H"



SECTION A-A
 SCALE 1 : 2.5

A [VALVE SIZE]	B	C	D	E	F	G	H	I	J	K	WEIGHT [LBS.]	JPM GEAR	GEAR RATIO	# OF TURNS TO OPEN (APPROX.)
3	8.00	.75	7.50	4 x 5/8-11 ∇ .79	-	6.00	3.76	7.50	9.01	2.8	75 LBS	JPM12B	40	10
4	9.00	.94	9.00	4 x 5/8-11 ∇ .79	4 x .75	7.50	4.65	8.28	9.01	2.8	100 LBS	JPM12B	40	10
6	10.50	1.02	11.00	4 x 3/4-10 ∇ .79	4 x .81	9.50	5.78	10.30	9.41	2.8	165 LBS	JPM12FB	40	10
8	11.50	1.13	13.50	4 x 3/4-10 ∇ .79	4 x .88	11.75	7.48	12.54	9.41	2.8	230 LBS	JPM12FB	40	10
10	13.00	1.19	16.00	8 x 7/8-9 ∇ .79	4 x 1.00	14.25	8.88	14.02	10.08	3.9	340 LBS	JPM14B	53	13
12	14.00	1.26	19.00	8 x 7/8-9 ∇ .79	4 x 1.00	17.00	11.00	16.38	10.08	3.9	480 LBS	JPM14B	53	13
14	17.00	1.38	21.00	8 x 1-8 UNS ∇ 1.54	4 x 1.13	18.75	12.88	18.00	10.71	4.9	720 LBS	JPM15B	68	17
16	17.75	1.44	23.50	8 x 1-8 UNS ∇ 1.06	8 x 1.13	21.25	14.69	22.50	10.71	4.9	850 LBS	JPM15B	68	17

DRAWN	J CAPPER	3/28/2017	M&H VALVE Division of McWane, Inc. 605 West 23rd Street, Anniston, Alabama 36201
CHECKED	DB	3/29/2017	
APPROVED			
TITLE: 3"-16" "FULL FLOW" FLG EPV 6412-FF w/ JPM Gear - DP NUT			REV 9
SIZE DWG. NO. D SUB910401T			SHEET 1 OF 1